

CABLING

Cables are to be selected in accordance with the requirements of the current issue of BS5839. Two pairs of connection terminals (L+ and L-) are provided on the terminal block. These terminals are used for connecting the module on to the addressable circuit. A maximum of one 1.5mm² or one 2.5mm² cable may be connected at any one terminal.

ADDRESS PROGRAMMING

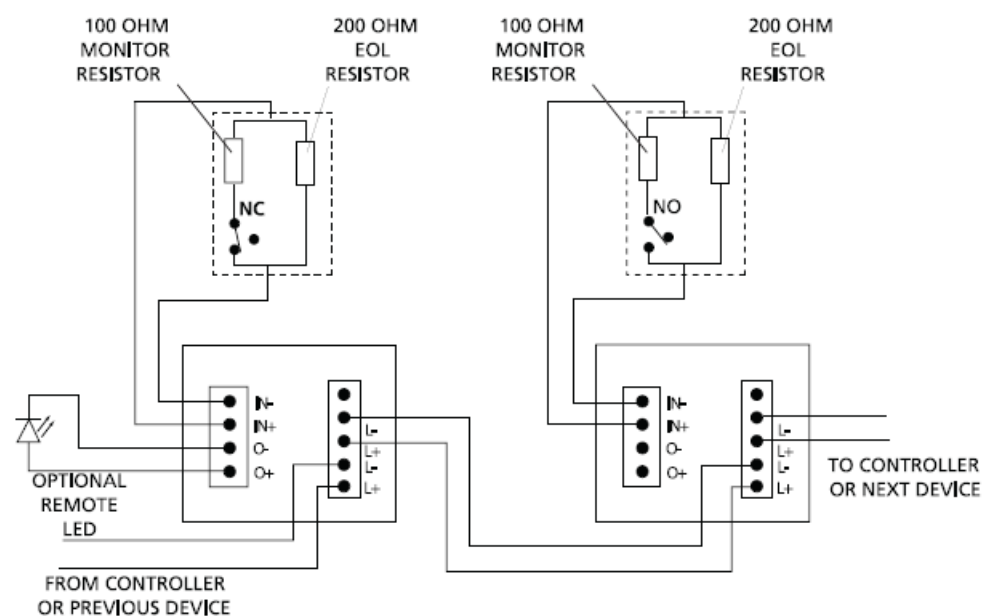
The EV-Mini IP must have its Loop Address programmed prior to installation with the EV-AD2 Programmer, using the Universal Addressing Lead (Two Pin) supplied with the EV-AD2 kit, by connecting Red pin to L+ & Black pin to L-. You can also use the EV Module Addressing Lead (Three Pin) via the Programming Port, after the device is connected to the Loop cables.

Note: Once the address has been programmed, take note of the device location and address number to include on site drawings.

ORDERING INFORMATION

EV-Mini IP Input Module: F16N82025

Fig. 4 EV-Mini IP Wiring Diagram - Non-Interrupt Mode



STYLE 'C' NORMALLY OPEN - FAULT ON SHORT CIRCUIT

TECHNICAL SPECIFICATION

Type Identification Value:	51
System Compatibility:	Use only with Evolution Fire Alarm Panels (CIE) which support this unit.
Loop Voltage:	20 - 38 Vdc
Environment:	Indoor Application only
Operating Temperature:	-25° to +70°C
Storage Temperature:	-40° to +80°C
Operating Humidity:	Up to 95% non-condensing
Dimensions (HWD):	57 x 48 x 13mm
Mounting Requirements:	Any suitable electrical enclosure.
Wire Size:	Min 1.5mm ² Max 2.5mm ²

Battery Requirements:	
Standby Alarm:	0.46mA
(without remote LED):	0.46mA
Alarm	
(with remote LED):	4.5mA

Maximum Wiring Resistance:	
Monitored Circuit:	10Ω

Addressable Device Conditions:

- Normal
- Active
- Short Circuit wiring fault
- Open Circuit wiring fault
- Device Type invalid
- Device No Response

Input Circuit:

Non Interrupt Mode	
EOL	200R
Alarm	100R
Interrupt Mode	
EOL	N/A
Alarm	OR

Declaration of Performance: 00114



Fig. 1 EV-Mini IP Mini-Input Module

ELECTROMAGNETIC COMPATIBILITY

The EV-Mini IP complies with the following: Product family standard EN 50130-4 in respect of Conducted Disturbances, Radiated Immunity, Electrostatic Discharge, Fast Transients and Slow High Energy. EN 61000-6-3 for emissions.

INTRODUCTION

The EV-Mini IP Mini Input module is designed to monitor fire contacts, such as extinguishing system control, ventilation control, fire door control etc. The module provides one identifiable detection spur which is capable of monitoring multiple normally open contacts.

The EV-Mini IP can be mounted in any electrical enclosure with sufficient depth to accommodate EV-Mini IP and the contacts monitored by the IN+ and IN- terminals, ie, no field wiring.

The remote LED (if required, not supplied) must be located within the same electrical enclosure.

FEATURES

EV-Mini IP monitors the following types of contacts:

- Multiple normally open contacts

EV-Mini IP identifies and communicates the status of monitored contacts and wiring to the Evolution CIE.

EV-Mini IP contains an output for an external LED (not supplied). As a status indicator, the LED lights when the monitored contact (normally off) switches to an active state.

WIRING NOTES

The following notes apply:

- 1) There are no user-required settings (switches, headers) on the EV-Mini IP.
- 2) All wiring must conform to the current IEE Wiring Regulations and BS5839 part 1. All conductors to be free of earths.
- 3) Mount the EV-Mini IP within a suitable electrical enclosure.
- 4) If configuring the EV-Mini IP in noninterrupt mode, connect the wiring for the monitored contact as shown in Fig. 4.
- 5) If configuring the EV-Mini IP in the interrupt mode to monitor a normally open contact, connect the wiring for the monitored contact as shown in Fig. 3. Note that in the interrupt mode the EV-Mini IP does not monitor the wiring for the contact.
- 6) Verify the correct polarity of wiring before connecting the EV-Mini IP to the addressable loop circuit.
- 7) Configure the EV-Mini IP with its unique address, using the EV-AD2 Address Programming tool either before or after connecting EV-Mini IP to the Evolution addressable loop.
- 8) If connecting an external LED to the EV-Mini IP, the LED must be located within the same electrical enclosure as the EV-Mini IP. Use LED rated for 10mA.
- 9) Devices/contacts monitored by the EV-Mini IP must be located within the same electrical enclosure as the EV-Mini IP.

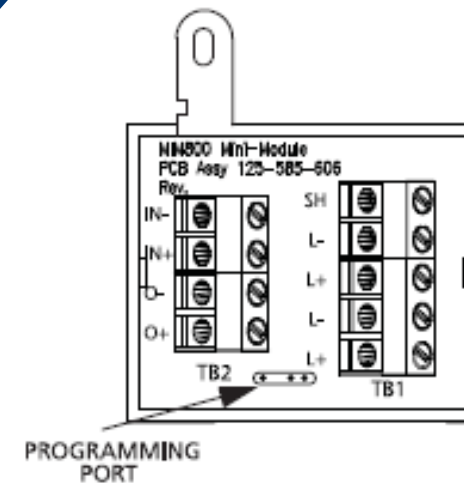


Fig. 2 EV-Mini IP PCB

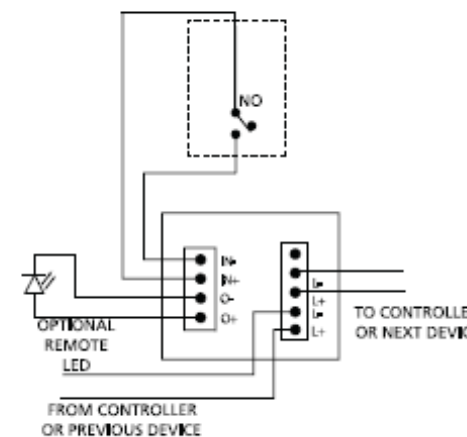


Fig. 3 EV-Mini IP Wiring Diagram - Interrupt Mode