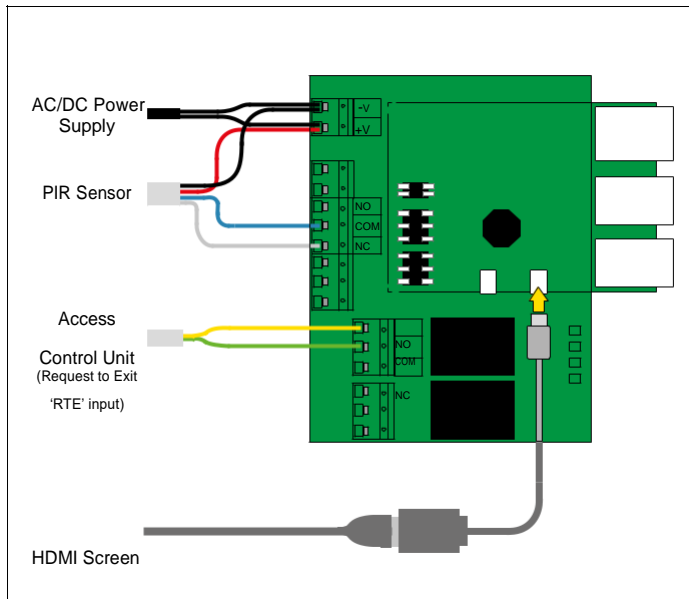


Germgard wiring instructions



Connections into the Germgard are made by pushing the wire into the terminal block (small wires may need the raised orange part to be pushed down at the same time).

Do not turn on until all connections have been made.

AC/DC Power Supply

Prior to plugging into the mains, connect the power supply negative wire to the **Germgard -V**, and the positive power supply wire to the **Germgard +V**.

PIR Sensor

Wire from the **PIR -V** to the **Germgard -V**.
Wire from the **PIR +V** to the **Germgard +V**.
Wire from the **PIR 'COM'** to the **Germgard 'COM'**.
Wire from the **PIR 'NC'** to the **Germgard 'NC'**.

HDMI Screen

Connect from the screen to the Germgard unit with the **HDMI cable**.

Germgard provides a relay output for access control and automatic door integration. Please contact us for specific access control system wiring diagrams.