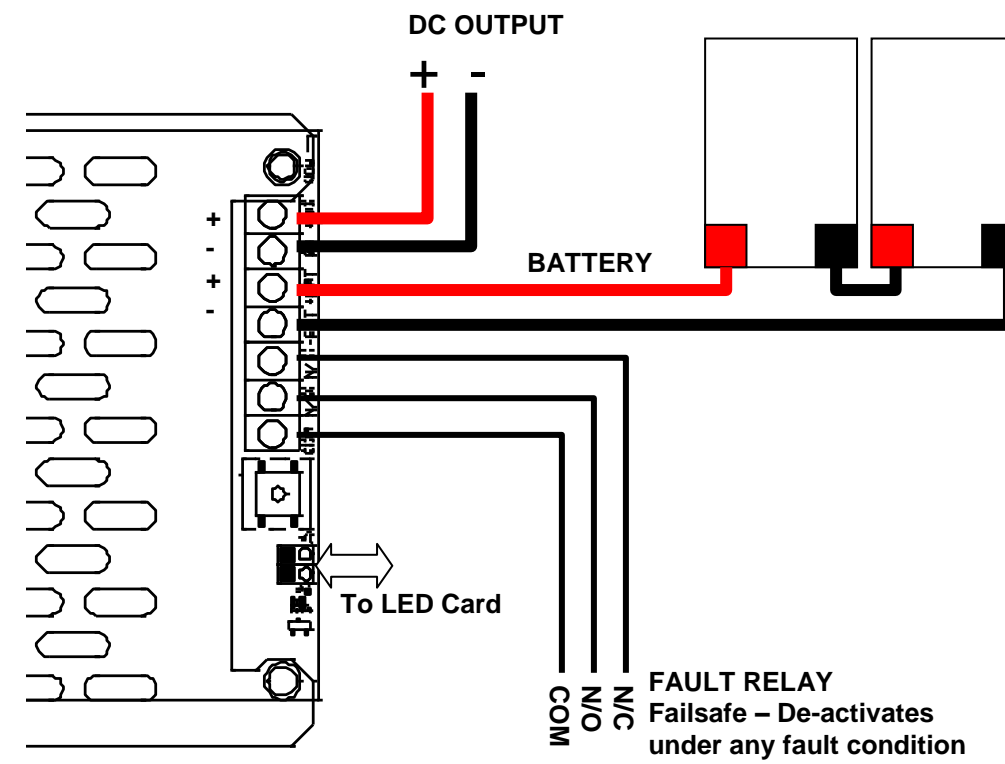
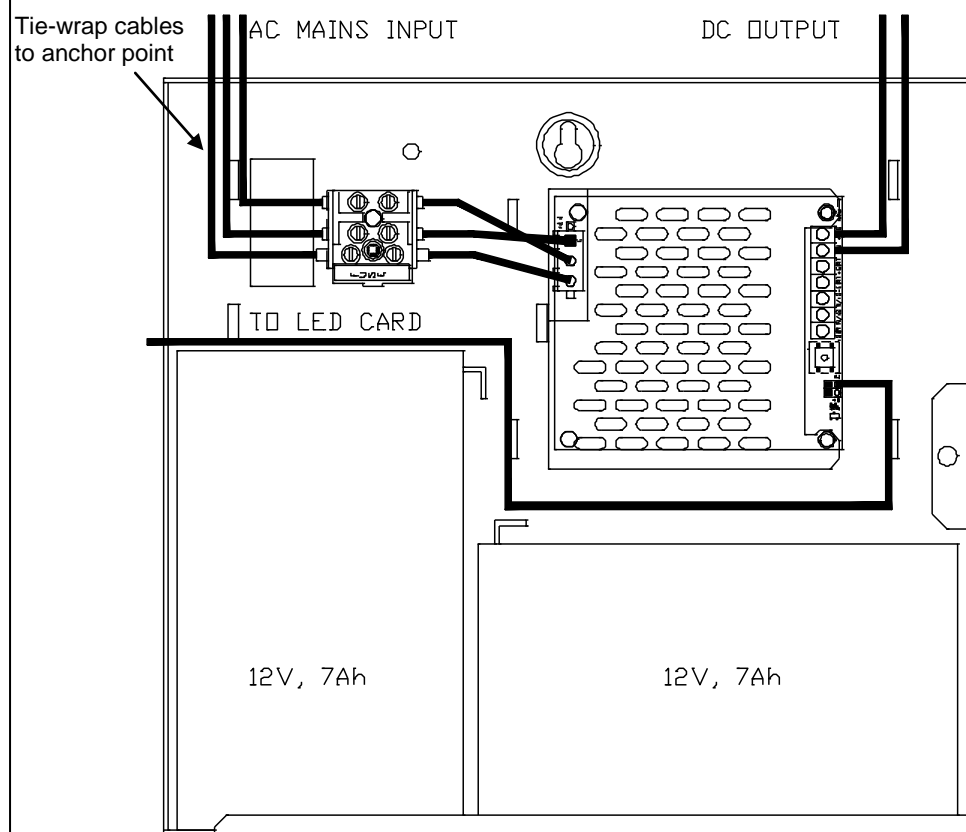
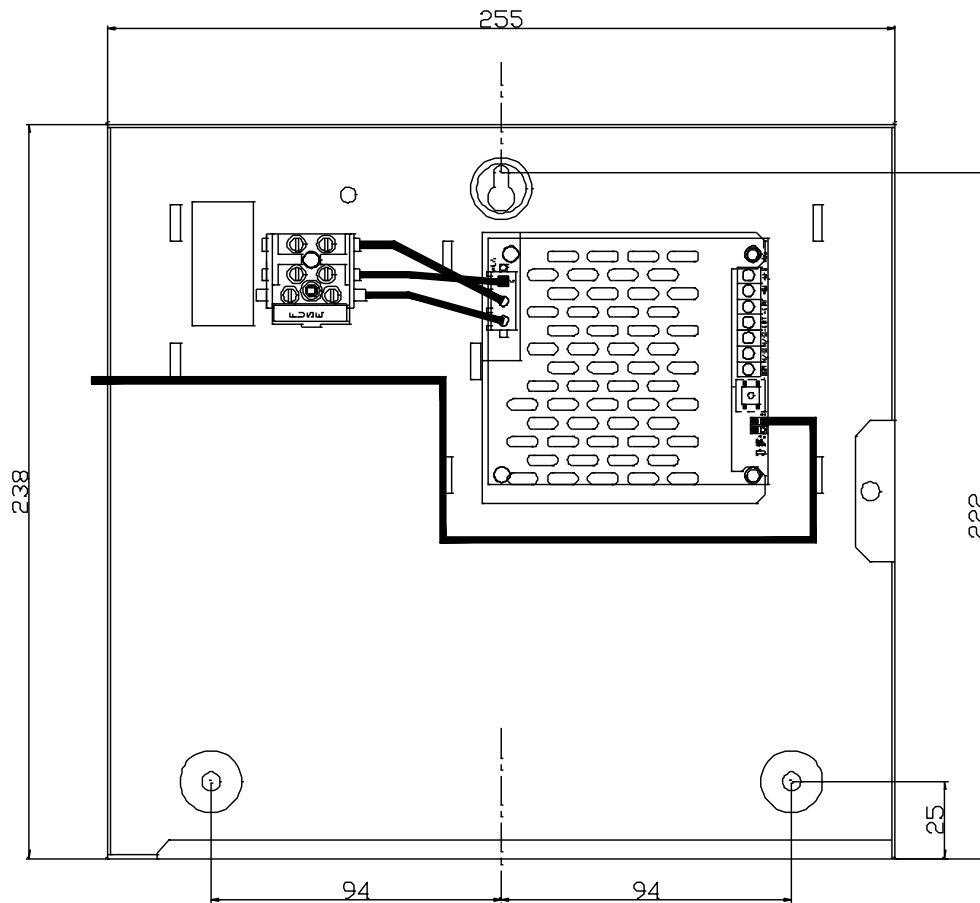
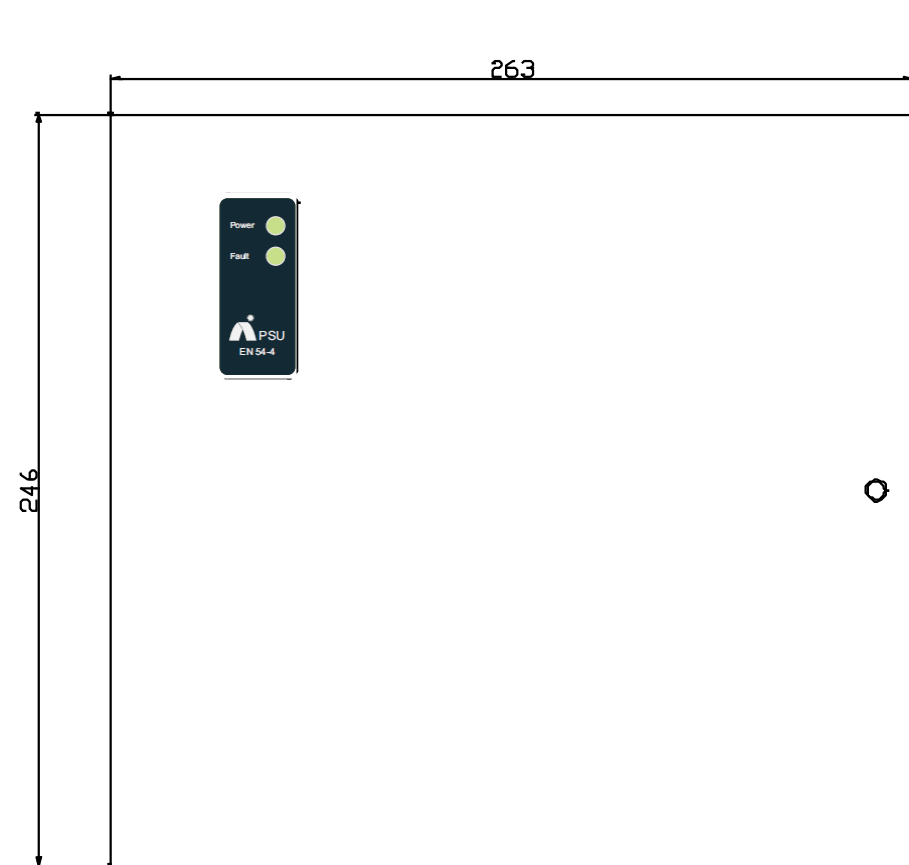



INSTALLATION – MXP-549 POWER SUPPLY

DIMENSIONS: 246 (H) x 263 (W) x 80 (D) mm



Specification	Value
Environment	Indoor, Dry
Operating Temperature	-5°C to +40°C
Relative Humidity	95%
Wire Gauge (max.)	2.5mm ²
Input Supply (AC)	220-240V AC, 47-63Hz, 0.5A
Output Voltage(DC)	Max 28.5V DC, Min 20.5V DC
Output Current (I _{MAXA} -I _{MAXB})	1.0A (Min Load 10mA)
Charging Voltage	27.4V @ 20C nominal, temperature compensated
Charging Current	0.5A
Ripple	200mV (1V p-p switching noise)
Fuse (AC Mains TB)	T3.15AH250V
Battery Size	7Ah
Battery internal resistance	3.3Ω max
Deep discharge cut-off	19V
Fault Relay	30V AC/DC, 1.0A, FP=1
Standard (Harmonised)	EN54-4:1997 +A1:2002 +A2:2006
MODELS:	
MXP-549	



0086


ADVANCED ELECTRONICS LTD
Moorland Way, Nelson Park, Cramlington
Northumberland, United Kingdom, NE23 1WE

14
0086-CPR-536903

EN54-4 - Power Supply Equipment
MXP-549

Technical data:
See document 680-132

For more information see document 680-132

	REV	01
	Drawing Name	Installation - MXP-549
DRAWN BY	DW	Drawing Number 683-P549
CREATED	28/10/2013	